



Industrial, Home and Business Casters
and Wheels

2011 Catalog

About Us

***Need high quality casters at a fair price?
We have you covered!***

We pull from over two million dollars in inventory to assure fast delivery and the widest selection possible.

Caster selection is simple. Our experts will help you choose the right caster at the right price. We have all the most popular industrial casters. No more confusing catalogs to deal with.

We also stock the most popular specialty, home and office casters. Call us for all your needs.

Just answer four simple questions and our experts will recommend the right caster for your application:

1. Total weight the casters will support
2. Caster wheel height
3. Type of floor
4. Wet, dry, foodservice or chemical environment

We carry both common and exotic casters:

- * Rubber
- * Steel
- * Polyurethane
- * Phenolic
- * Aluminum
- * Non-marking rubber

Order today and we ship tomorrow!

Table of Contents

About Us	2
Soft Rubber	4
Non-Marking Rubber	
On Polyolefin	5
On Aluminum.....	6
Donut Tire	7
Grip Ring.....	8
Threaded Stem	9
Polyurethane	
Polyolefin Hub	10
Cast Iron Hub	11
Grey Hub.....	11
Rubber on Cast Iron	12
Phenolic.....	13
Steel.....	14
Total Lock Brake.....	15
Pneumatic Casters	16
Tires/Tubes	17
Industrial Wheels	18
Caster Wheels	
V-Groove Solid Steel	19
Solid Rubber.....	19
Axles/Bearings	20
Bushings, Spacers and Reducers.....	21
Furniture/Office/Home Casters	22
Gate Caster	23
Floor Locks	24
Caster Mounting Plates/Caster Sockets.....	25

Soft Rubber



Soft rubber is the most popular tread material. It cushions the load and has good traction. However, rubber can mark sensitive floors and it does wear. Soft rubber has a limited load carrying capacity.

Wheel Diameter	Wheel Material	Type	Type Bearing	Diam Axle	Tread Width	Total Height	Swivel Radius	Max. Load	Product Number
2"	Soft Rubber	Swivel	Nylon	1/4"	15/16"	2 7/16"	1 3/4"	90	20SSR
2"	Soft Rubber	Rigid	Nylon	1/4"	15/16"	2 7/16"		90	20RSR
2"	Soft Rubber	Swivel w/ brake	Nylon	1/4"	15/16"	2 7/16"	1 3/4"	90	20SSRWB
2 1/2"	Soft Rubber	Swivel	Nylon	5/16"	1 1/8"	3 1/4"	2 3/8"	100	25SSR
2 1/2"	Soft Rubber	Rigid	Nylon	5/16"	1 1/8"	3 1/4"		100	25RSR
2 1/2"	Soft Rubber	Swivel w/ brake	Nylon	5/16"	1 1/8"	3 1/4"	2 3/8"	100	25SSRWB
3"	Soft Rubber	Swivel	Nylon	3/8"	1 1/4"	3 13/16"	2 7/8"	125	30SSR
3"	Soft Rubber	Rigid	Nylon	3/8"	1 1/4"	3 13/16"		125	30RSR
3"	Soft Rubber	Swivel w/ brake	Nylon	3/8"	1 1/4"	3 13/16"	2 7/8"	125	30SSRWB
4"	Soft Rubber	Swivel	Roller	3/8"	1 1/4"	5 1/8"	3 1/2"	165	40SSR
4"	Soft Rubber	Rigid	Roller	3/8"	1 1/4"	5 1/8"		165	40RSR
4"	Soft Rubber	Swivel w/ brake	Roller	3/8"	1 1/4"	5 1/8"	3 1/2"	165	40SSRWB
5"	Soft Rubber	Swivel	Roller	3/8"	1 1/4"	6 5/32"	4 "	175	50SSR
5"	Soft Rubber	Rigid	Roller	3/8"	1 1/4"	6 5/32"		175	50RSR
5"	Soft Rubber	Swivel w/ brake	Roller	3/8"	1 1/4"	6 5/32"	4 "	175	50SSRWB

Non-Marking Rubber

We carry a large variety of non-marking rubber casters. These are used in office, hospital, foodservice and computer applications. They look great. Tread color options are blue and grey. Available on both aluminum and polyolefin (black or gray) hubs, these are not recommended for hardwood floors.



Polyolefin Hub

Wheel Diam	Tread Color	Polyolefin Hub Color	Type	Type Bearing	Diam Axle	Tread Width	Total Height	Swivel Radius	Max. Load	Product Number
2"	Gray	Gray	Swivel	Nylon	1/4"	15/16"	2 7/16"	1 3/4"	90	20SRGY
2"	Gray	Gray	Rigid	Nylon	1/4"	15/16"	2 7/16"	1 3/4"	90	20RRGY
2"	Gray	Gray	Swivel w/brake	Nylon	1/4"	15/16"	2 7/16"	1 3/4"	90	20SRGYWB
3"	Blue	Black	Swivel	Nylon	3/8"	1 1/4"	4 1/4"	3"	225	30SRBL
3"	Blue	Black	Rigid	Nylon	3/8"	1 1/4"	4 1/4"	3"	225	30RRBL
3"	Blue	Black	Swivel w/brake	Nylon	3/8"	1 1/4"	4 1/4"	3"	225	30SRBLWB
3 1/2"	Gray	Gray	Swivel	Nylon	3/8"	1 1/4"	4 1/2"	3"	250	35SRGY
3 1/2"	Gray	Gray	Rigid	Nylon	3/8"	1 1/4"	4 1/2"	3"	250	35RRGY
3 1/2"	Gray	Gray	Swivel w/brake	Nylon	3/8"	1 1/4"	4 1/2"	3"	250	35SRGYWB
4"	Blue	Black	Swivel	Roller	3/8"	2"	5 5/8"	3 9/16"	300	40SRBL
4"	Blue	Black	Rigid	Roller	3/8"	2"	5 5/8"	3 9/16"	300	40RRBL
4"	Blue	Black	Swivel w/brake	Roller	3/8"	2"	5 5/8"	3 9/16"	300	40SRBLWB

Non-Marking Rubber



Non-marking rubber on aluminum is one of our most popular casters. Not only does it look great but it has a wide variety of applications. It carries more load than soft rubber and yet has a cushioned rubber grip that does not mark hard surfaces. The aluminum hub carries more load than soft rubber and has a mag wheel appearance.

Aluminum Hub

Wheel Diam	Tread Color	Hub	Type	Type Bearing	Diam Axle	Tread Width	Total Height	Swivel Radius	Max. Load	Product Number
3 1/2"	Gray	Aluminum	Swivel	Nylon	3/8"	1 1/4"	4 1/2"	3 "	220	35SRA
3 1/2"	Gray	Aluminum	Rigid	Nylon	3/8"	1 1/4"	4 1/2"		220	35RRA
3 1/2"	Gray	Aluminum	Swivel w/brake	Nylon	3/8"	1 1/4"	4 1/2"	3 "	220	35SRAWB
4"	Gray	Aluminum	Swivel	Roller	3/8"	1 1/4"	5 1/8"	3 1/2"	240	40SRA
4"	Gray	Aluminum	Rigid	Roller	3/8"	1 1/4"	5 1/8"		240	40RRA
4"	Gray	Aluminum	Swivel w/brake	Roller	3/8"	1 1/4"	5 1/8"	3 1/2"	240	40SRAWB
5"	Gray	Aluminum	Swivel	Roller	3/8"	1 1/4"	6 5/32"	4 "	265	50SRA
5"	Gray	Aluminum	Rigid	Roller	3/8"	1 1/4"	6 5/32"		265	50RRA
5"	Gray	Aluminum	Swivel w/brake	Roller	3/8"	1 1/4"	6 5/32"	4 "	265	50SRAWB

Donut Tire Casters

Donut tire casters are high strength and have non-marking gray tread. The rounded edges of the tread let the tires turn more easily than other shapes. These are available for heavy duty uses and for medium duty hospital and foodservice applications.



Wheel Diam	Tread Color	Polyolefin Hub Color	Type	Bearing Type	Diam Axle	Tread Width	Total Height	Swivel Radius	Max. Load	Product Number
5"	Gray	Tan	Rigid	Roller	1/2"	2"	6 1/2"	4 1/4"	750	C-50RRGYD
5"	Gray	Tan	Swivel	Roller	1/2"	2"	6 1/2"		750	C-50SRGYD
5"	Gray	Tan	Swivel w/brake	Roller	1/2"	2"	6 1/2"	4 1/4"	750	C-50SRGYDWB
6"	Gray	Tan	Rigid	Roller	1/2"	2"	7 1/2"	5 "	900	C-60RRGYD
6"	Gray	Tan	Swivel	Roller	1/2"	2"	7 1/2"		900	C-60SRGYD
6"	Gray	Tan	Swivel w/brake	Roller	1/2"	2"	7 1/2"		900	C-60SRGYDWB

Grip Ring



Grip ring casters are very common in light industrial applications. They require a grip ring socket which is sold separately. We stock the most common grip ring sizes and can supply any size you require.

Wheel Diam	Wheel Material	Wheel Type	Grip Ring	Type Bearing	Tread Width	Total Height	Swivel Radius	Max. Load	Product Number
2"	Soft Rubber	Swivel	7/16"Dx1 7/16"	Nylon	13/16"	2 5/8"	1 13/16"	66	20SGR
2"	Soft Rubber	Swivel	7/16"Dx1 7/16"	Nylon	13/16"	2 5/8"	1 13/16"	66	20SGRWB
3"	Soft Rubber	Swivel	7/16"Dx1 7/16"	Nylon	13/16"	3 5/8"	2 3/8"	99	30SGR
3"	Soft Rubber	Swivel	7/16"Dx1 7/16"	Nylon	13/16"	3 5/8"	2 3/8"	99	30SGRWB
4"	Soft Rubber	Swivel	7/16"Dx1 7/16"	Nylon	1"	4 3/4"	3 1/8"	125	40SGR
4"	Soft Rubber	Swivel	7/16"Dx1 7/16"	Nylon	1"	4 3/4"	3 1/8"	125	40SGRWB
5"	Soft Rubber	Swivel	7/16"Dx1 7/16"	Nylon	1"	5 3/4"	3 11/16"	135	50SGR
5"	Soft Rubber	Swivel	7/16"Dx1 7/16"	Nylon	1"	5 3/4"	3 11/16"	135	50SGRWB

Threaded Stem



Threaded stem casters can be threaded or bolted onto frames. We offer several thread sizes to meet the most common applications. Let us know if you have a special need.

Wheel Diam	Wheel Material	Wheel Type	Thread	Type Bearing	Tread Width	Total Height	Swivel Radius	Max. Load	Product Number
2"	Soft Rubber	Swivel	5/16"-18x1"	Nylon	13/16"	2 7/8"	2"	90	20TS312
2"	Soft Rubber	Swivel w/ brake	5/16"-18x1"	Nylon	13/16"	2 7/8"	2"	90	20TS312WB
2"	Soft Rubber	Swivel	3/8"-16x1"	Nylon	13/16"	2 7/8"	2"	90	20TS375
2"	Soft Rubber	Swivel w/ brake	3/8"-16x1"	Nylon	13/16"	2 7/8"	2"	90	20TS375WB
3"	Soft Rubber	Swivel	3/8"-16x1"	Nylon	13/16"	3 7/8"	2 3/8"	100	30TS375
3"	Soft Rubber	Swivel w/ brake	3/8"-16x1"	Nylon	13/16"	3 7/8"	2 3/8"	100	30TS375WB
3"	Soft Rubber	Swivel	1/2"-13x1 1/2"	Nylon	13/16"	3 7/8"	2 3/8"	100	30TS500
3"	Soft Rubber	Swivel w/ brake	1/2"-13x1 1/2"	Nylon	13/16"	3 7/8"	2 3/8"	100	30TS500WB
4"	Soft Rubber	Swivel	1/2"-13x1 1/2"	Nylon	1"	4 3/4"	3 1/8"	125	40TS500
4"	Soft Rubber	Swivel w/ brake	1/2"-13x1 1/2"	Nylon	1"	4 3/4"	3 1/8"	125	40TS500WB
5"	Soft Rubber	Swivel	1/2"-13x1 1/2"	Nylon	1"	5 3/4"	3 11/16"	135	50TS500
5"	Soft Rubber	Swivel w/ brake	1/2"-13x1 1/2"	Nylon	1"	5 3/4"	3 11/16"	135	50TS500WB

Polyurethane

Polyurethane tread resists oil and chemical attacks. The slightly higher cost is more than justified in harsh environments. Less cushion than rubber and slightly less grip. However, polyurethane out-wears rubber. It comes in a variety of attractive wheel colors -- red, blue and black.



Polyolefin Hub

Wheel Diam	Wheel Color	Polyolefin Hub Color	Type	Bearing	Tread Width	Total Height	Swivel Radius	Max. Load	Product Number
3"	Red	White	Swivel	Nylon	1 1/4"	4 1/4"	3"	220	30SPU
3"	Red	White	Rigid	Nylon	1 1/4"	4 1/4"		220	30RPU
3"	Red	White	Swivel w/brake	Nylon	1 1/4"	4 1/4"	3"	220	30SPUWB
3 1/2"	Blue	Black	Swivel	Nylon	1 1/4"	4 1/2"	3"	260	35SPU
3 1/2"	Blue	Black	Rigid	Nylon	1 1/4"	4 1/2"		260	35RPU
3 1/2"	Blue	Black	Swivel w/brake	Nylon	1 1/4"	4 1/2"	3"	260	35SPUWB
3 1/2"	Blue	Black	Swivel w/TLB	Nylon	1 1/4"	4 1/2"	3"	260	35RPUTLB
4"	Red	Black	Swivel	Roller	1 1/4"	5 1/8"	3 1/2"	700	40SPU
4"	Red	Black	Rigid	Roller	1 1/4"	5 1/8"		700	40RPU
4"	Red	Black	Swivel w/brake	Roller	1 1/4"	5 1/8"	3 1/2"	700	40SPUWB
5"	Red	Black	Swivel	Roller	2"	6 1/2"	4 1/4"	750	50SPU
5"	Red	Black	Rigid	Roller	2"	6 1/2"		750	50RPU
5"	Red	Black	Swivel w/brake	Roller	2"	6 1/2"	4 1/4"	750	50SPUWB
6"	Red	Black	Swivel	Roller	2"	7 1/2"	5"	900	60SPU

Polyurethane



This is one of our strongest casters. It combines the chemical resistance of polyurethane tread with the strength of a cast iron hub. Wheel tread color is green and cast iron hub is black.

Cast Iron Hub

Wheel Diam	Wheel Color	Cast Iron Hub Color	Type	Bearing	Tread Width	Total Height	Swivel Radius	Max. Load	Product Number
4"	Green	Black	Swivel	Roller	2"	5 5/8"	3 9/16"	700	40SPC
4"	Green	Black	Rigid	Roller	2"	5 5/8"		700	40RPC
4"	Green	Black	Swivel w/brake	Roller	2"	5 5/8"	3 9/16"	700	40SPCWB
5"	Green	Black	Swivel	Roller	2"	6 1/2"	4 1/4"	800	50SPC
5"	Green	Black	Rigid	Roller	2"	6 1/2"		800	50RPC
5"	Green	Black	Swivel w/brake	Roller	2"	6 1/2"	4 1/4"	800	50SPCWB
6"	Green	Black	Swivel	Roller	2"	7 1/2"	5 "	900	60SPC
6"	Green	Black	Rigid	Roller	2"	7 1/2"		900	60RPC

This is an attractive caster with high quality ball bearings. This provides a very smooth roll. Commonly referred to as shopping cart casters, these casters greatly improve the rolling performance of shop carts and light equipment.



Grey Poly Hub

Wheel Diam	Wheel Color	Polyolefin Hub Color	Type	Bearing	Diam Axle	Tread Width	Total Height	Swivel Radius	Max. Load	Product Number
5"	Black	Gray	Swivel	Ball	3/8"	1 1/4"	6"	4"	250	50SPUP
5"	Black	Gray	Rigid	Ball	3/8"	1 1/4"	6"		250	50RPUP
5"	Black	Gray	Swivel w/brake	Ball	3/8"	1 1/4"	6"	4"	250	50SPUPWB

Rubber on Cast Iron



These casters combine the cushioning effect of rubber with the strength of a cast iron hub. They are used in situations where traction and load bearing capacity are both important. Rubber on cast iron casters are commonly used in trash bin and heavy hopper applications. They are also good for heavy equipment and rough surfaces.

Wheel Diam	Hub	Type	Bearing Type	Tread Width	Total Height	Swivel Radius	Max. Load	Product Number
4"	Cast Iron Black	Swivel	Roller	2"	5 5/8"	3 9/16"	300	40SRC
4"	Cast Iron Black	Rigid	Roller	2"	5 5/8"		300	40RRC
4"	Cast Iron Black	Swivel w/brake	Roller	2"	5 5/8"	3 9/16"	300	40SRCWB
5"	Cast Iron Black	Swivel	Roller	2"	6 1/2"	4 1/4"	350	50SRC
5"	Cast Iron Black	Rigid	Roller	2"	6 1/2"		350	50RRC
5"	Cast Iron Black	Swivel w/brake	Roller	2"	6 1/2"	4 1/4"	350	50SRCWB
6"	Cast Iron Black	Swivel	Roller	2"	7 1/2"	5 "	500	60SRC
6"	Cast Iron Black	Rigid	Roller	2"	7 1/2"		500	60RRC
8"	Cast Iron Black	Swivel	Roller	2"	9 1/2"	6 1/2"	600	80SRC

Phenolic



Phenolic solid wheels are made from a high strength resin that is chemically bonded to canvas shreds under high heat and pressure. It is almost as strong as steel, yet is lighter weight and easier on floors. Phenolics require a dry environment.

Wheel Diam	Wheel Material	Wheel Type	Type Bearing	Tread Width	Total Height	Swivel Radius	Max. Load	Product Number
4"	Phenolic	Swivel	Roller	2"	5 5/8"	3 9/16"	800	40SPH
4"	Phenolic	Rigid	Roller	2"	5 5/8"		800	40RPH
4"	Phenolic	Swivel w/brake	Roller	2"	5 5/8"	3 9/16"	800	40SPHWB
5"	Phenolic	Swivel	Roller	2"	6 1/2"	4 1/4"	900	50SPH
5"	Phenolic	Rigid	Roller	2"	6 1/2"		900	50RPH
5"	Phenolic	Swivel w/brake	Roller	2"	6 1/2"	4 1/4"	900	50SPHWB
6"	Phenolic	Swivel	Roller	2"	7 1/2"	5 "	900	60SPH
6"	Phenolic	Rigid	Roller	2"	7 1/2"		900	60RPH

Steel

Solid steel wheels are very strong. They can be hard on floors and may rust in wet environments, however. Traction is inferior to rubber and urethanes. Solid steel is used in high shock applications like refuse containers and load hoppers.



Wheel Diam	Wheel Material	Wheel Type	Type Bearing	Tread Width	Total Height	Swivel Radius	Max. Load	Product Number
2"	Steel	Swivel	Plain Bore	15/16"	2 7/16"	1 3/4"	125	20SS
2"	Steel	Rigid	Plain Bore	15/16"	2 7/16"		125	20RS
2 1/2"	Steel	Swivel	Plain Bore	1 1/8"	3 1/4"	2 3/8"	200	25SS
2 1/2"	Steel	Rigid	Plain Bore	1 1/8"	3 1/4"		200	25RS
3"	Steel	Swivel	Plain Bore	1 1/4"	3 13/16"	2 7/16"	250	30SS
3"	Steel	Rigid	Plain Bore	1 1/4"	3 13/16"		250	30RS
4"	Steel	Swivel	Plain Bore	1 1/4"	5 1/8"	3 1/2"	300	40SS
4"	Steel	Rigid	Plain Bore	1 1/4"	5 1/8"		300	40RS
5"	Steel	Swivel	Roller	2"	6 1/2"	4 1/4"	900	50SS
5"	Steel	Rigid	Roller	2"	6 1/2"		900	50RS

Total Lock Brake



The brake on this caster locks both the wheel rotation and the caster swivel -- thus "total lock". Regular brakes only lock the wheel leaving the wheel free to rotate. This can be a problem on slopes and ramps.

Wheel Diam	Wheel Material	Hub	Type	Bearing	Tread Width	Total Height	Swivel Radius	Max. Load	Product Number
3 1/2"	Soft Rubber Black	Soft Rubber	Swivel	Nylon	1 1/4"	4 11/16"	3 11/32"	130	35SSRTL
3 1/2"	Polyurethane Blue	Polyolefin Black	Swivel	Nylon	1 1/4"	4 11/16"	3 11/32"	260	35SPUTLB
3 1/2"	Rubber Non-mark Gray	Polyolefin Gray	Swivel	Nylon	1 1/4"	4 11/16"	3 11/32"	250	35SRGYTLB
3 1/2"	Soft Rubber Gray	Aluminum	Swivel	Nylon	1 1/4"	4 11/16"	3 11/32"	225	35SRATLB

Also available in 4" and 5" wheel diameters

Pneumatic Casters

Casters with pneumatic tires (inflated) provide the most cushioned ride for the load. Because they have a larger diameter, they roll well on rough surfaces and gravel. Pneumatics have a medium load capacity. They require occasional wheel repair and replacement like any tire. We carry replacement wheels, tires and tubes for our pneumatic casters.



Wheel Diam	Tread Color	Hub	Type	Type Bearing	Tread Width	Total Height	Swivel Radius	Max. Load	Product Number
6"	Gray	Steel	Swivel	Ball	2"	7 5/8"	3 3/16"	250	60SPNGY
6"	Gray	Steel	Rigid	Ball	2"	7 5/8"		250	60RPNGY
6"	Black	Steel	Swivel	Ball	2"	7 5/8"	3 3/16"	250	60SPN
6"	Black	Steel	Rigid	Ball	2"	7 5/8"		250	60RPN
8"	Gray	Steel	Swivel	Ball	2 1/2"	10"	6 5/8"	350	80SPNGY
8"	Gray	Steel	Rigid	Ball	2 1/2"	10"		350	80RPNGY
8"	Black	Steel	Swivel	Ball	2 1/2"	10"	6 5/8"	350	80SPN
8"	Black	Steel	Rigid	Ball	2 1/2"	10"		350	80RPN

Tubes and Tires

Tubes

Don't waste valuable time repairing cheap, poor quality tubes. We offer high quality replacement tubes. These are packed individually in clear plastic.



	Product Number
480/400-8 Wheelbarrow Tube	T-4808
400-6 Wheelbarrow Tube	T-4006
4.10/3.50-4 Cart Tube	T-4104
4.10/3.50-5 Cart Tube	T-4105
2.80/2.50 Tube	T-2804

Tires



We offer both knobby and ribbed tread replacement tires. The knobby tread works best in muddy or slick environments. Ribbed tread offers the smoothest ride and easiest handling.

	Product Number
Ribbed 480/400 x 8", 2-Ply, Wheelbarrow Tire	T-4808R
Knobby 480/400 x 8", 2-Ply, Wheelbarrow Tire	T-4808K

Wheels

We have one of the largest selections of industrial and lawn and garden wheels anywhere. You have a wide choice of bearing types and wheel offsets.



Description	Width	Tread	Hub Width	Bear. ID	Type	Load	Product Number
5 x 1 x 3/8 Bushing Poly Wheel	1 1/4"	Smooth	1 5/8"	3/8"	Ball	250	W-50PUP
6 x 1 1/2" x 1/2 Ball Bearing Steel Hub, Even	1 1/2"	Rib	1 3/8"	1/2"	Ball	35	W-601512E
6 x 2 x 5/8 Ball Bearing, Steel Hub Hub Even	2"	Rib	2 1/4"	5/8"	Ball	250	W-602058
6 x 1 1/2" x 1/2 Bore Plastic Hub Offset	1 1/2"	Diamond	1 3/8"	1/2"	Bore	35	W-601512OP
7 x 1 1/2" x 1/2 Bore Plastic Hub Offset	1 1/2"	Diamond	1 3/8"	1/2"	Bore	45	W-701512
8 x 1 3/4" x 1/2 Ball Bearing Steel Hub Even	1 3/4"	Rib	1 3/8"	1/2"	Ball	35	W-801712E
8 x 2 1/2" x 5/8 Ball Bearing Steel Hub Even	2 1/2"	Rib	2 3/4"	5/8"	Ball	165	W-802558
8 x 1 3/4" x 5/8 Ball Bearing Steel Hub Even	1 3/4"	Rib	1 13/16"	5/8"	Ball	125	W-801758
8 x 1 1/2" x 1/2 Bore Plastic Hub Offset	1 3/4"	Diamond	1 3/8"	1/2"	Bore	35	W-801512
10 x 1 3/4" x 1/2 Ball Bearing Steel Hub Even	1 3/4"	Rib	1 9/16"	1/2"	Ball	60	W-1001712
10 x 2.75 x 5/8 Ball Bearing, Pnu Stl Hub Even	2 3/4"	Rib	2 13/16"	5/8"	Ball	200	W-1002758
12 x 1 3/4" x 1/2 Ball Bearing Steel Hub, Offset	1 3/4"	Rib	1 9/16"	1/2"	Ball	90	W-1201712
400-6, 5/8" Ball Bearing 2-Ply Pneumatic, 2-ply		Rib	4"	5/8"	Ball	300	W-400658
400-8, 3/4" Ball Bearing 2-Ply Pneumatic, 2-ply		Rib	6"	3/4"	Ball	515	W-400834
410/350-4 w/ 5/8 Bearing Pneumatic, 2-ply		Sawtooth	2 1/4"	5/8"	Ball	300	W-410458

Solid Rubber

Solid rubber wheels make great replacements for our casters. Use them with our axles to make your own rolling carts and frames.



Wheel Diameter	Wheel Material	Hub Offset	Type Bearing	Axle Diameter	Tread Width	Max. Load	Product Number
2"	Rubber	No	Rubber	1/4"	1"	90	RW-20
2 1/2"	Rubber	No	Rubber	5/16"	1 3/8"	100	RW-25
3"	Rubber	No	Rubber	3/8"	1 9/16"	125	RW-30
4"	Rubber	No	Rubber	7/16"	1 11/16"	200	RW-40



V-Groove Solid Steel

V-grooves can be used on track (i.e., inverted angle iron) or flat surfaces. Ours have high strength roller bearings and zerk fittings for easy hub lubrication. They carry extremely high loads.

Wheel Diam	Wheel Material	Hub	Type Bearing	Diam Axle	Tread Width	Max. Load	Product Number
4"	Steel V-Groove	Steel	Roller	3/4"	1 1/2"	600	40VGR15
4"	Steel V-Groove	Steel	Roller	3/4"	2"	800	40VGR20
6"	Steel V-Groove	Steel	Roller	3/4"	2"	1000	60VGR20

Axles & Bearings

Axles

Our axles are made from cold rolled steel. You can use our steel bushings and reducers to adapt axles to any wheel or attaching point.

	Product Number
3/8D Axle Stock, 18-inches	A-37518
3/8D Axle Stock, 2-feet	A-37524
3/8D Axle Stock, 3-feet	A-37536
1/2D Axle Stock, 18-inches	A-50018
1/2D Axle Stock, 2-feet	A-50024
1/2D Axle Stock, 3-feet	A-50036
5/8D Axle Stock, 18-inches	A-62518
5/8D Axle Stock, 2-feet	A-62524
5/8D Axle Stock, 3-feet	A-62536
3/4D Axle Stock, 18-inches	A-75018
3/4D Axle Stock, 2-feet	A-75024
3/4D Axle Stock, 3-feet	A-75036



Bearings

Our bearings are first quality and yet very reasonably priced because we purchase large quantities. Quality bearings last longer and roll smoother. Packed individually in clear plastic.

	Product Number
1/2" Inner Dia. X 1 1/8" Outer Dia., Ball bearing	B-5001125
1/2" Inner Dia. X 1 3/8" Outer Dia., Ball bearing	B-5001375
5/8" Inner Dia. X 1 3/8" Outer Dia., Ball bearing	B-6251375
3/4" Inner Dia. X 1 3/8" Outer Dia., Ball bearing	B-7501375

Bushings, Spacers and Reducers

Use our mild steel bushings to adapt axles and wheels to any size. They also can be used as spacers or to reduce the size of a hole for bolt-through applications. We offer these in a 3" length so you can cut them to fit your needs.



OD to ID	Length	Product Number
3/8" to 1/4"	3-inches	B375250
1/2" to 3/8"	3-inches	B500375
5/8" to 3/8"	3-inches	B625375
5/8" to 1/2"	3-inches	B625500
11/16 to 7/16"	3-inches	B688438
3/4" to 1/2"	3-inches	B750500
3/4" to 5/8"	3-inches	B750625
7/8" to 5/8"	3-inches	B875625
1" to 3/4"	3-inches	B100750
1 1/4" to 1"	3-inches	B125100
1 3/8" to 1 1/8"	3-inches	B138112
1 1/2" to 1 1/4"	3-inches	B150125

Furniture Casters

Bed Roller	2" Bed Roller Brown	C-20BRPLB
Bed Roller	2" Bed Roller White	C-20BRPLW
Hooded Ball	1.5" Hooded Ball, Ant Brass, Plate..	C-15HBABP
Hooded Ball	1.5" Hooded Ball, Ant Brass, Stem	C-15HBABS
Hooded Ball	1.5" Hooded Ball, Brass, Plate	C-15HBBRP
Hooded Ball	1.5" Hooded Ball, Brass, Stem	C-15HBBRS
Hooded Ball	2" Hooded Ball Antique Brass Grip Ring Stem Caster	C-20HBABGR
Hooded Ball	2" Hooded Ball Antique Brass Grip Ring Long Stem Cstr	C-20HBABGR-L
Hooded Ball	2" Hooded Ball, Ant Brass, Plate	C-20HBABP
Hooded Ball	2" Hooded Ball, Ant Brass, Stem	C-20HBABS
Hooded Ball	2" Hooded Ball Brass Grip Ring Stem Caster	C-20HBBRGR
Hooded Ball	2" Hooded Ball Brass Grip Ring Long Stem Caster	C-20HBBRGR-L
Hooded Ball	2" Hooded Ball, Brass, Plate	C-20HBBRP
Hooded Ball	2" Hooded Ball, Brass, Stem	C-20HBBRS
Metal Ball	2" Metal Ball, Antique Brass, Plate	C-20MBABP
Metal Ball	2" Metal Ball, Antique Brass with Stem	C-20MBABS
Metal Ball	2" Metal Ball, Brass, Plate	C-20MBBRP
Metal Ball	2" Metal Ball, Brass with Stem	C-20MBBRS
Metal Ball	2.5" Metal Ball, Antique Brass, Plate	C-25MBABP
Metal Ball	2.5" Antique Brass Ball Caster w/Stem	C-25MBABS
Metal Ball	2.5" Metal Ball, Brass, Plate	C-25MBBRP
Metal Ball	2.5" Brass Ball Caster w/Stem	C-25MBBRS
Twin Wheel	2" Swivel Soft Rubber Twin Wheel	C-20SSRTW
Twin Wheel	2" Twin Wheel, Ant Brass w Plate	C-20TWABP
Twin Wheel	2" Twin Wheel, Ant Brass w Stem	C-20TWABS
Twin Wheel	2" Twin Wheel Brass, Grip Ring	C-20TWBRGR
Twin Wheel	2" Twin Wheel Brass, Plate	C-20TWBRP
Twin Wheel	2" Twin Wheel Brass, Stem	C-20TWBRS
Twin Wheel	2" Twin Wheel PI w Ant Brass, Thrd Stem 5/16"-18 X 1/2"	C-20TWPABTS
Twin Wheel	2" Twin Wheel, PI w Brass, Thrd Stem 5/16"-18 X 1/2"	C-20TWPBTS
Twin Wheel	2" Twin Wheel BK, Grip Ring	C-20TWPLGR
Twin Wheel	2" Twin Wheel BK, Plate	C-20TWPLP
Twin Wheel	2" Twin Wheel Bk, Stem	C-20TWPLS

Gate Casters

Gate casters make it easier to close larger industrial pull gates across uneven surfaces. We have a special design that uses a high quality wheel with a bearing. Our springs are specially wound for long life. Comes with or without brake.



	Product Number
4" Polyurethane Wheel w/ Bearings	G-40PU
4" Polyurethane Wheel w/ Bearings & Brake	G-40PUWB

Also available with 3" and 5" diameter wheels

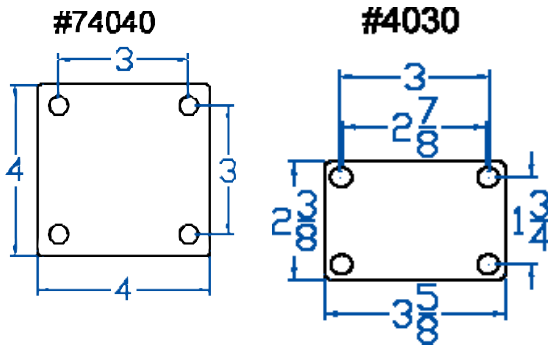
Floor Locks

Our floor locks convert a rolling table to a stationary one. Just step on the pedal to activate or release. We offer three sizes to meet most needs.



	Product Number
Floor Lock for 4" Caster	FL-40
Floor Lock for 5" Caster	FL-50
Floor Lock for 6" Caster	FL-60

Caster Mounting Plates



The correct way to mount casters on carts and mobile equipment is to use a mounting plate. The proper steps are:

- ❖ Weld caster mounting plate to frame
- ❖ Bolt on the caster
- ❖ Align the casters
- ❖ Easily realign or replace a caster

We provide caster mounting plates for all our industrial casters. The last four digits in the product number correspond to the caster top plate number.

Caster Sockets

Use our caster sockets to attach grip ring casters to furniture, carts, chairs or tables. They can be inserted in round or square tubing. Wood must be drilled to accept caster sockets.

	Product Number
1" Round Plastic Socket	CS-100R
1" Square Plastic Socket, .920 O.D.	CS-100S
9/16" O.D. x 3/8" Metal Socket for Grip Ring	CS-563PSKT
3/4" Round Plastic Socket	CS-750R
7/8" Round Plastic Socket	CS-875R
7/8" Square Plastic Socket	CS-875S



The Best Industrial Casters

Strong, Safe and Durable
